

Assignment 2

ECOR1047 - W22 | Carleton University

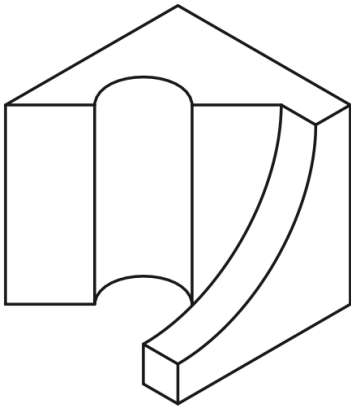
Due Monday January 30, 2022 @ 11:59pm

Complete the following to the best of your ability. Use a pencil, and 11"x17" (A3) or 8.5"x11" (A4) blank paper, for each drawing. Include a title block with your name, student ID number, date, and drawing number (use the format shown).

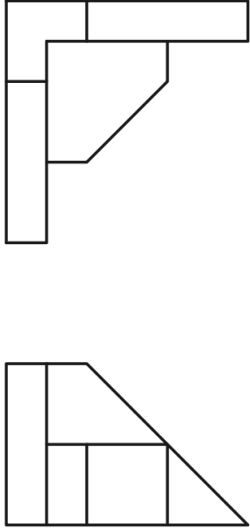
For all of your drawings draw the views given, and complete the drawing with the missing views.

Scan and upload your drawings as a single pdf to BrightSpace.

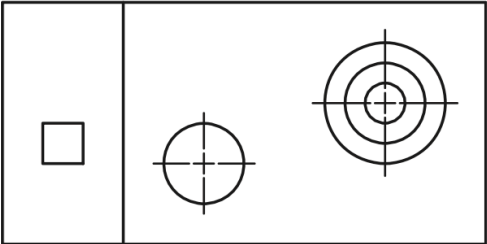
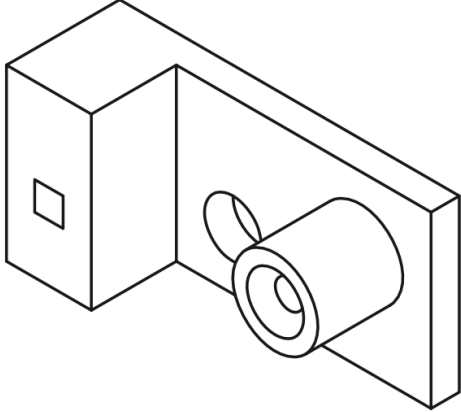
Drawing 2-1. For the Isometric view of the cut block, sketch the orthographic views of the object.

			
DRAWING 2-1	[NAME]	[ID]	[DATE]

Drawing 2-2. For the orthographic views of the object, sketch the isometric view.

	
DRAWING 2-2	[NAME]
[ID]	[DATE]

Drawing 2-3. Given the two views and the isometric, sketch the offset section view of the object. (You will need to determine where the offset section line should go!)

	
DRAWING 2-3	[NAME]
[ID]	[DATE]