



**CVG1107A**  
**Civil Eng. Graphics and Seminars**

Final Exam  
Professor A. Skaff

25 March 2020  
Time: 120 min.

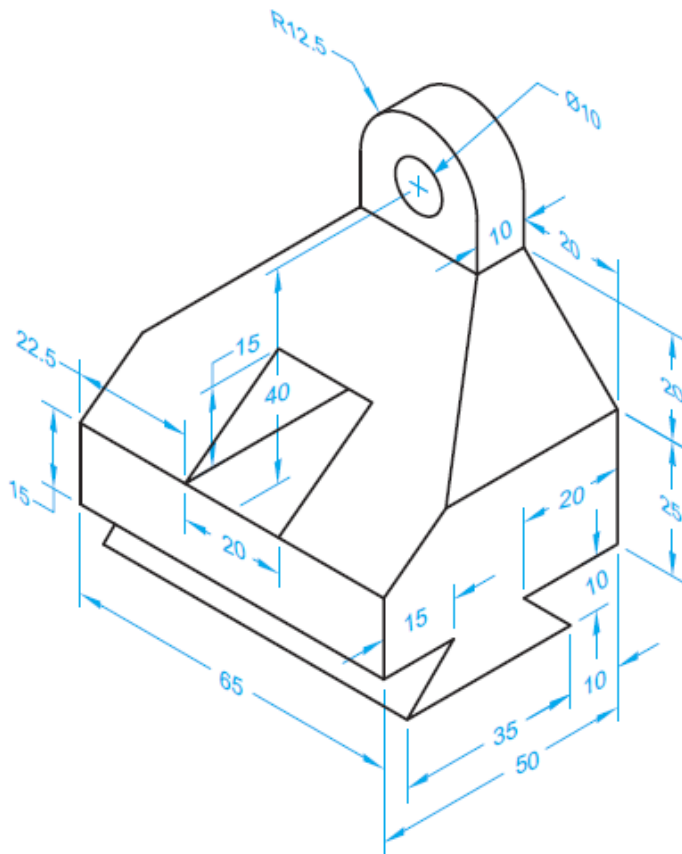
---

There are two options to do the task: either manual drawing on paper and scan and submit through Bright Space OR AutoCAD drawing scale 1:1 and submit DWG file.

---

**Question 1 (30 marks):**

Draw the *orthographic views* of the object shown in pictorial. Use scale 1:1. All dimensions are in mm (metric). Please don't draw dimensions and extension lines on the views.



**Question 2 (20 marks):**

Draw the *sectional view* indicated by the cutting plane A-A.

