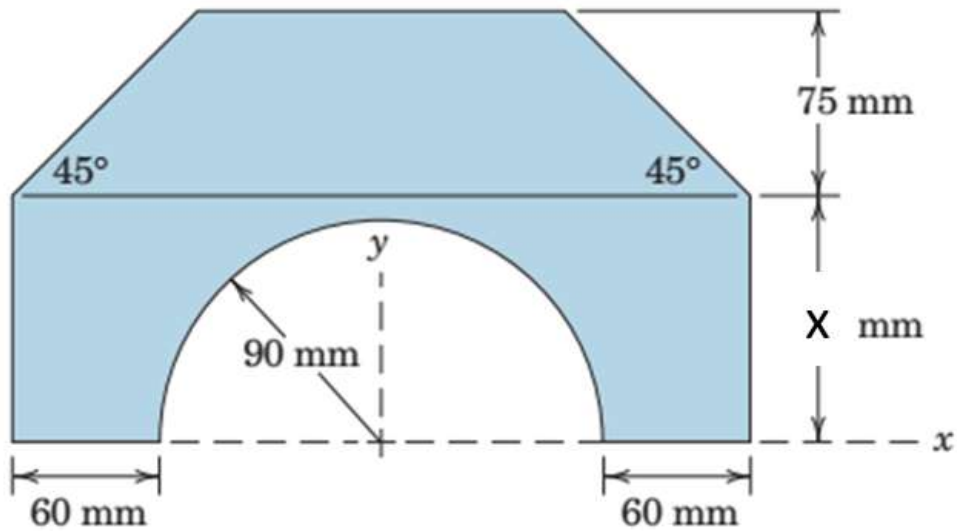


**Assignment 4**

Q1: Find the location of the centroid of the following shape (assuming uniform thickness and density).  
Let X equal the last 3 digits of your student number.



Follow the steps outline in class for full marks. This includes the governing equations, separate drawings for each common shape, the location of the centroid for each common shape, and the table.