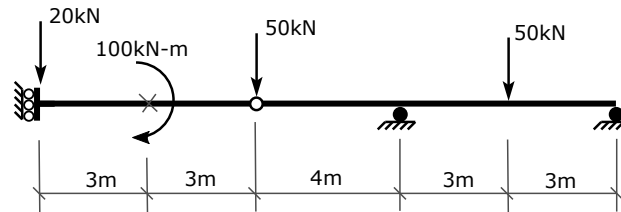


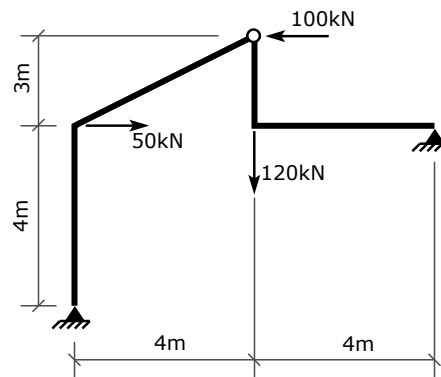
## HW-1: Due 4:00PM, Friday, Oct. 4, 2019

Compute the reactions and draw complete FBD and NVM diagrams for each of the following.

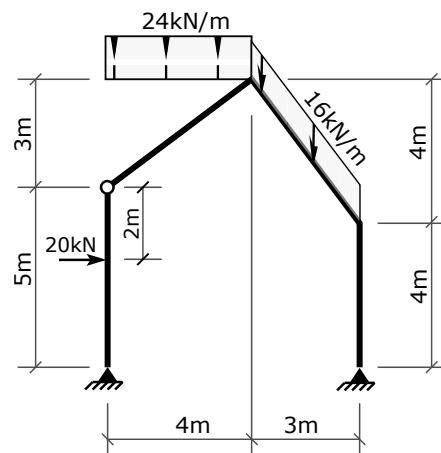
### Question 1 [10 marks]



### Question 2 [10 marks]



### Question 3 [15 marks]



### Revisions

- \$Id: hw1.tex 8824 2019-09-24 02:35:54Z nholtz \$ - original posting.