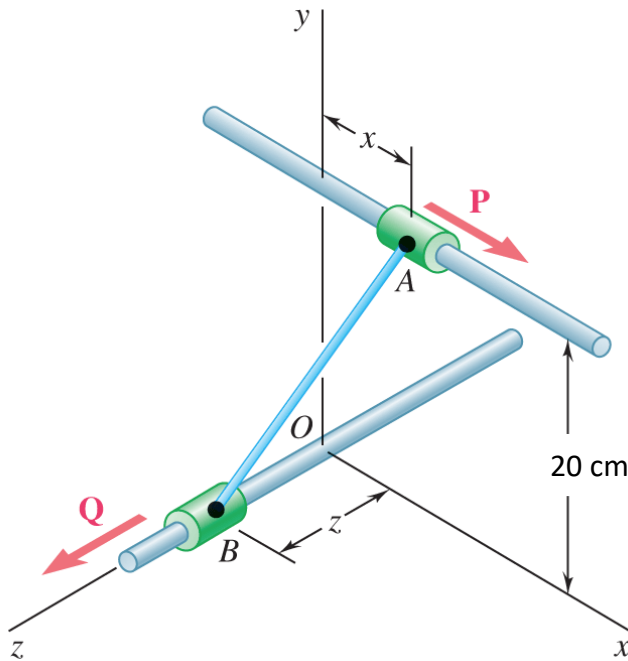


GNG1105F – ENGINEERING MECHANICS
Assignment 1: Chapter 2 Summary Problem



Collars A and B are connected by a 30cm long wire and have frictionless sliding on their supporting rods. Determine the distances x and z for which the equilibrium of the system is maintained if $P=100\text{lb}$ and $Q=50\text{lb}$, using equilibrium of forces. (*Hint: There is no friction between collars and rods, so no reaction component along rods.*)