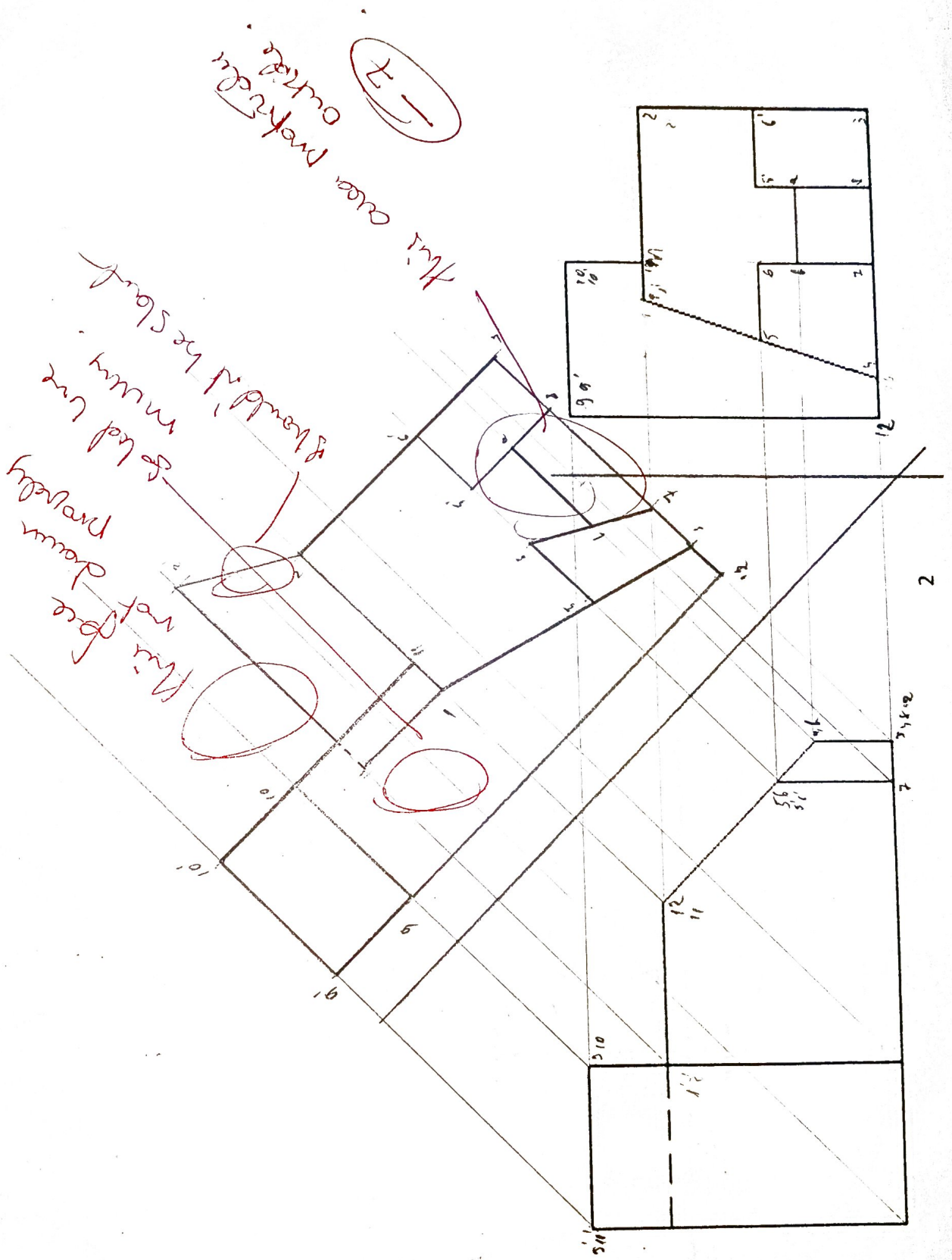
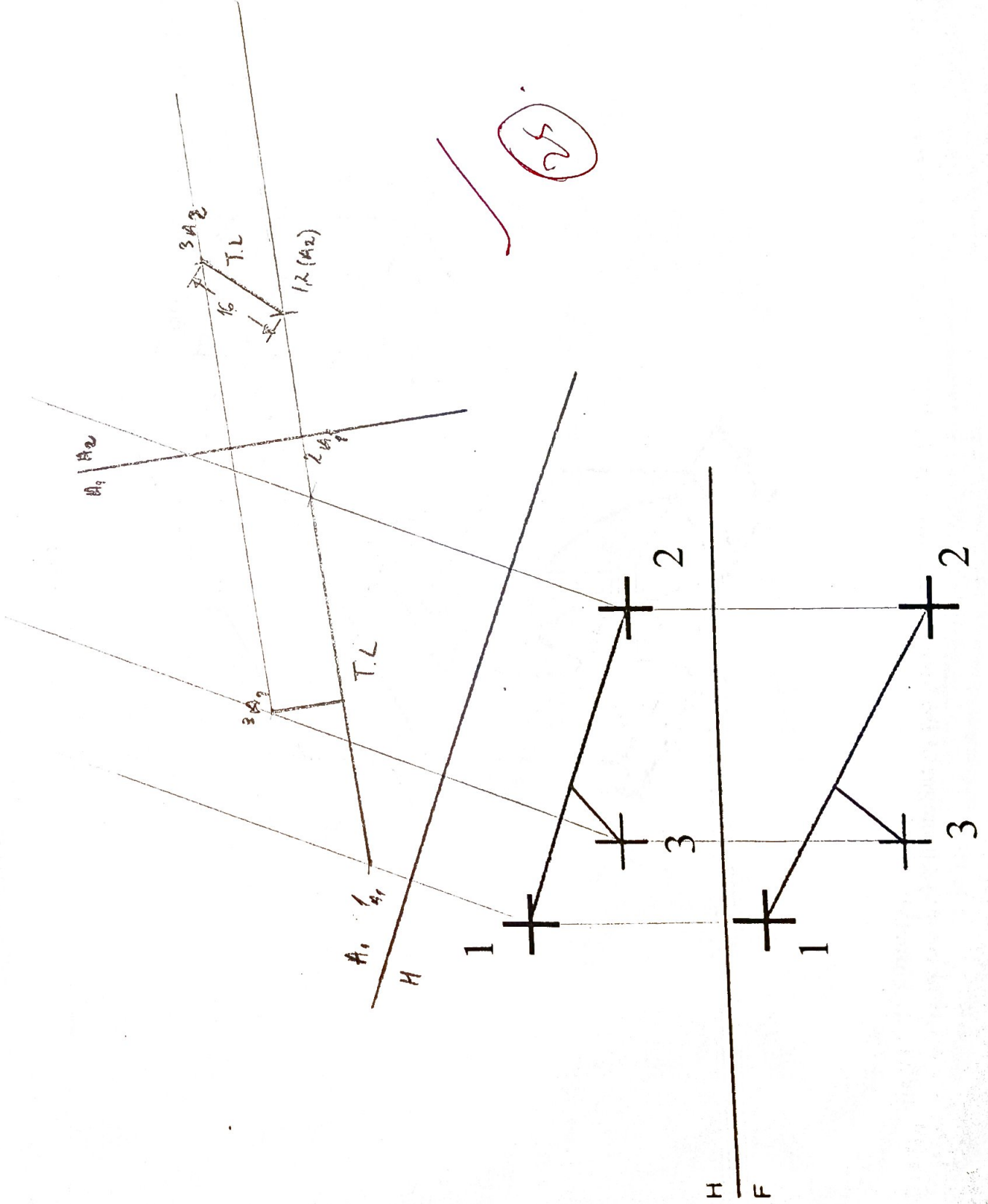


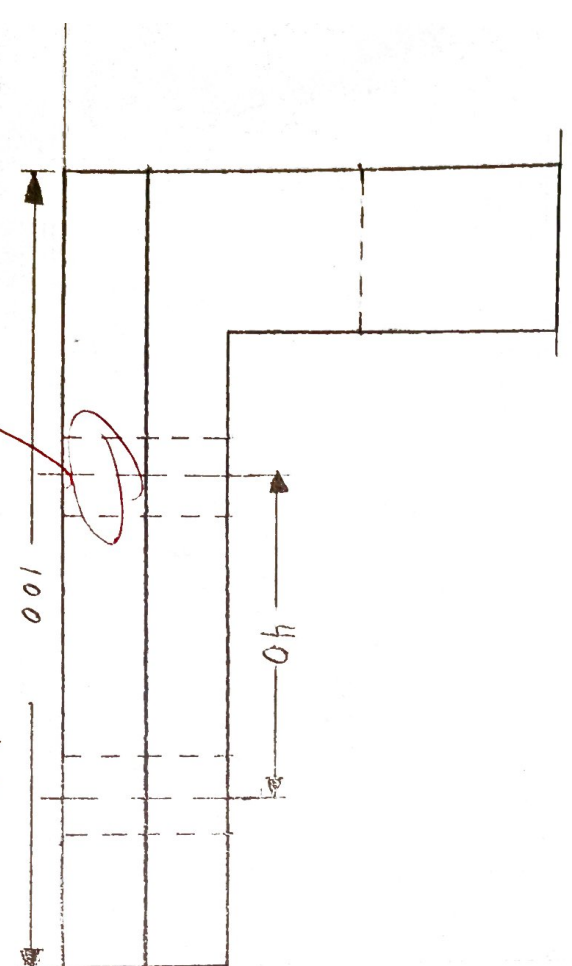
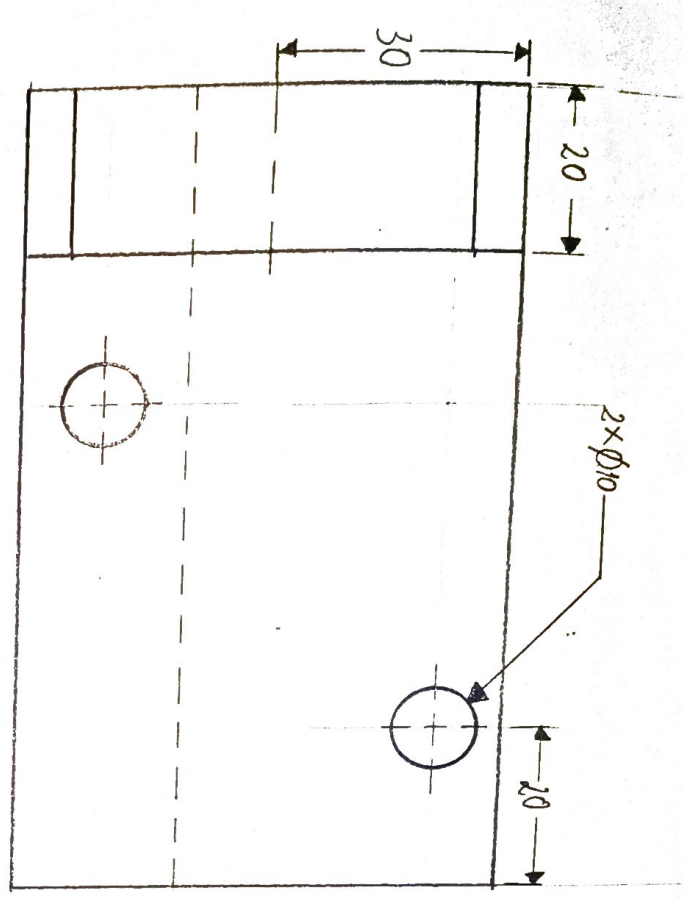
Q1. Using the two given views, draw a the full auxiliary view of the inclined surface. (25 Marks)



Q2. Find the shortest distance between line "12" and point "3". (25 Marks)

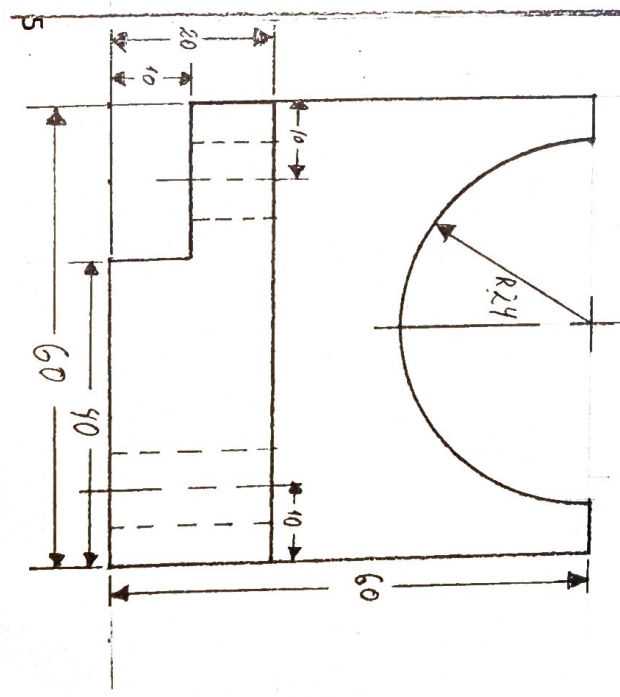
Dim. are in mm.





this hole is not through
this face.

(-1)



Construction lines
not shown
for all.

(-1)