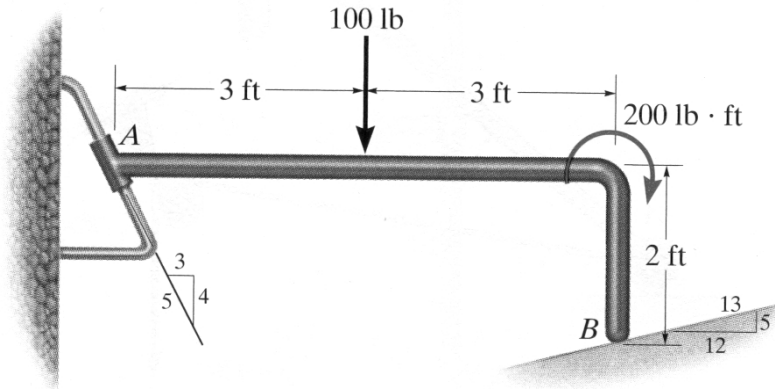


1. (25 pts) The bent rod is supported by a smooth surface at B and the inclined rod at A. The collar at A is free to move on the inclined rod without friction. Determine the reactions on the bent rod at A and B.



2. (25 pts) The assembly shown is used to control the tension in the tape that passes around a frictionless spool at E. Rods CDE and ABC are welded to collar C, which can freely rotate about shaft FG but cannot move in the x-direction because of the fixed washer S. Determine the tension T and the reactions on the collar C.

