

Assignment # 7

Due date: Week of 11-07-2016

**Question 1 (6 Marks)**

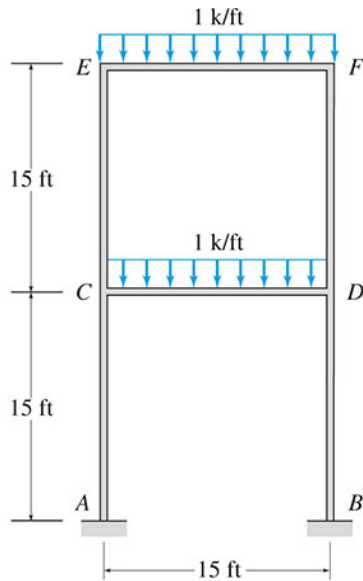
Draw the approximate shear and bending moment diagrams for the girders of the frame shown in Figure (1).

**Question 2 (12 Marks)**

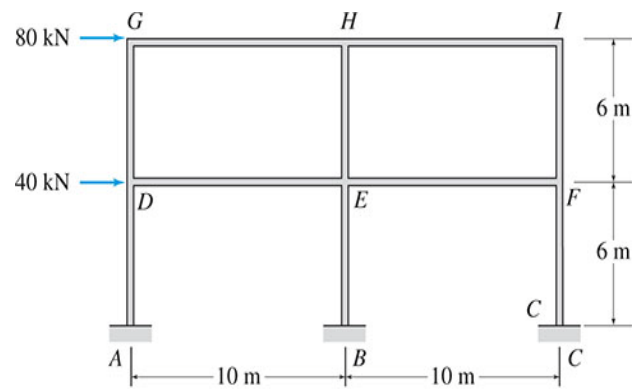
Determine the approximate axial forces, shears and moments for all the members of the frame shown in Figure (2) by using the **Portal Frame Method**.

**Question 3 (12 Marks)**

Redo the problem in Question 2 for the frame shown in Figure (2) by using the **Cantilever Method**.



**Figure (1)**



**Figure (2)**