

# ECOR 1010 – INTRODUCTION TO ENGINEERING

---

AZIZULLAH ABDUL RAB

LABORATORY #3

IntelliCAD: FLANGE MOUNT BEARING

**TO Marking TA:**

Name: Juan Posada.

Email: juanposada@cmail.carleton.ca

Lab Section: L12

Room: 2256 Mackenzie Building – Carleton University

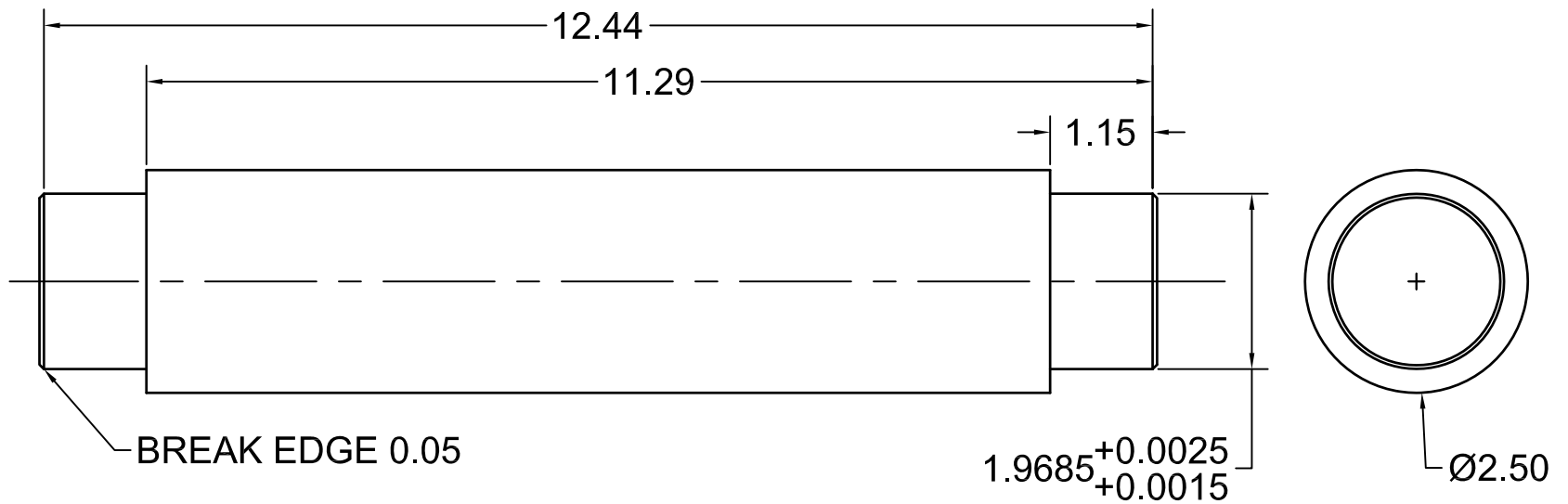
**FROM:**

Email: azizullahabdulrab@cmail.carleton.ca

Student Number: 1010 52514

Number of Figures and Tables (Including handwritten ones): 5 Drawings

Last Date and Time of Revision: 11/10/2016 @ 11:30 (AM)



*A. Rami*

ALL DIM = INCHES

MATERIAL = STEEL

TOLERANCE EXCEPT AS OTHERWISE STATED	
.XXX	+/-0.0005
.XX	+/-0.005
.X	+/-0.05
ANGLE	+/-0.5

DRAWN BY  
Azizullah Abdul Rab

STUDENT NUMBER  
101052514

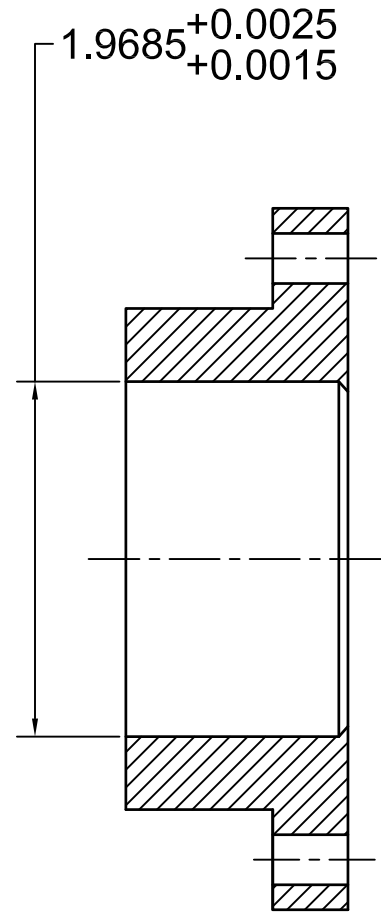
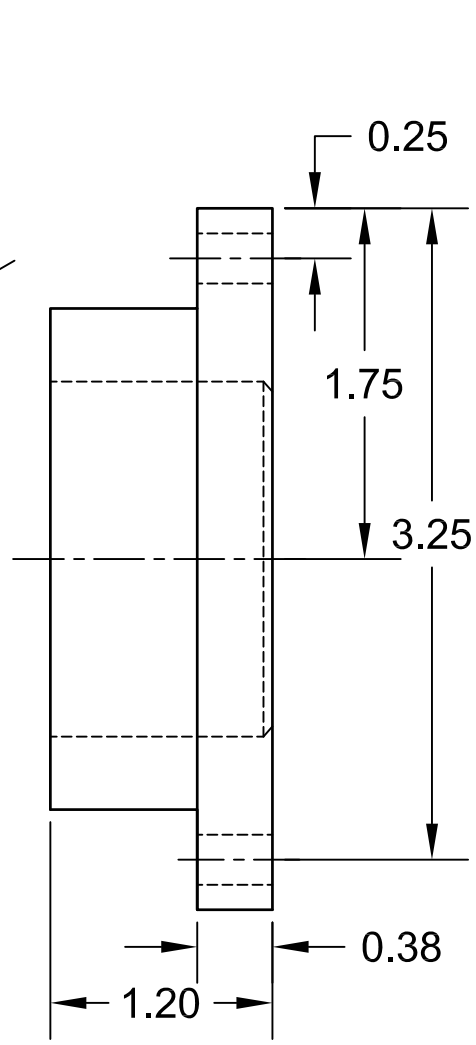
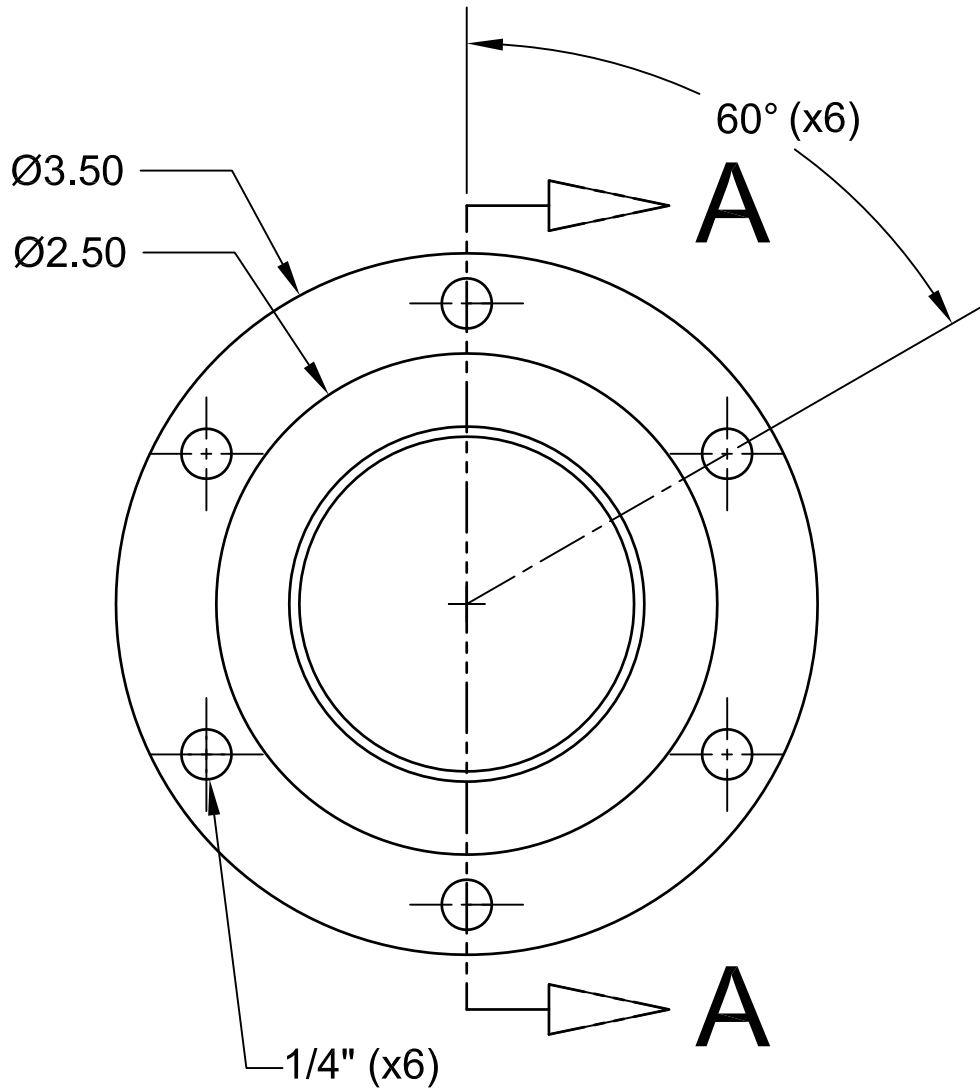
Carleton University

SHAFT

DATE.  
10/10/16

SCALE.  
1:2

DRAWING NO.  
1 OF 2



**SECTION A-A**

ALL DIM = INCHES  
 MATERIAL = 6061 - T6

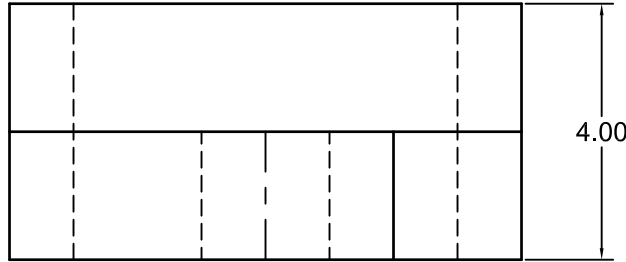
TOLERANCE EXCEPT AS OTHERWISE STATED	
.XXX	+/-0.0005
.XX	+/-0.005
.X	+/-0.05
ANGLE	+/-0.5

DRAWN BY	Azizullah Abdul Rab
STUDENT NUMBER	101052514

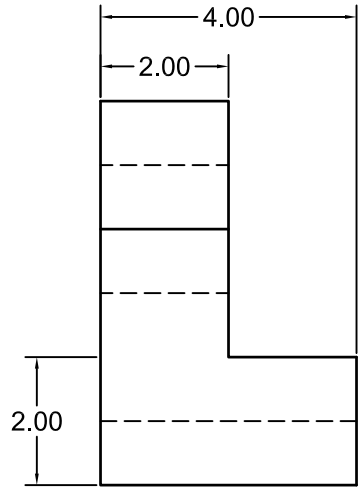
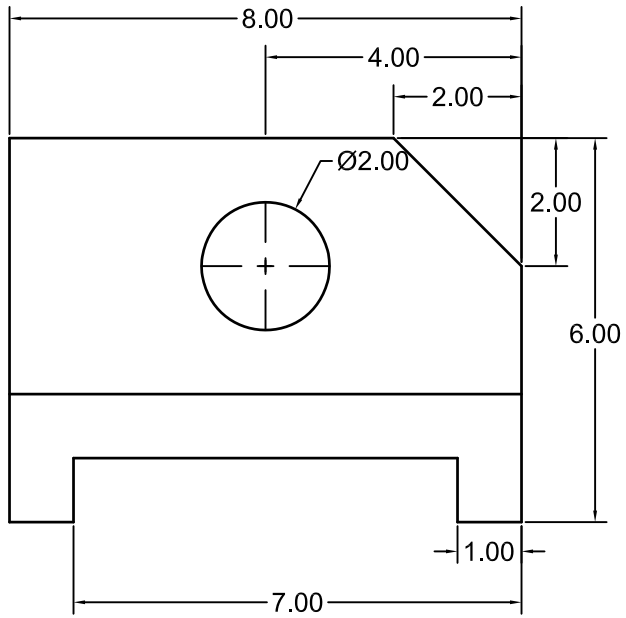
Carleton University
<b>BEARING FLANGE MOUNT</b>

*A. Rawi*

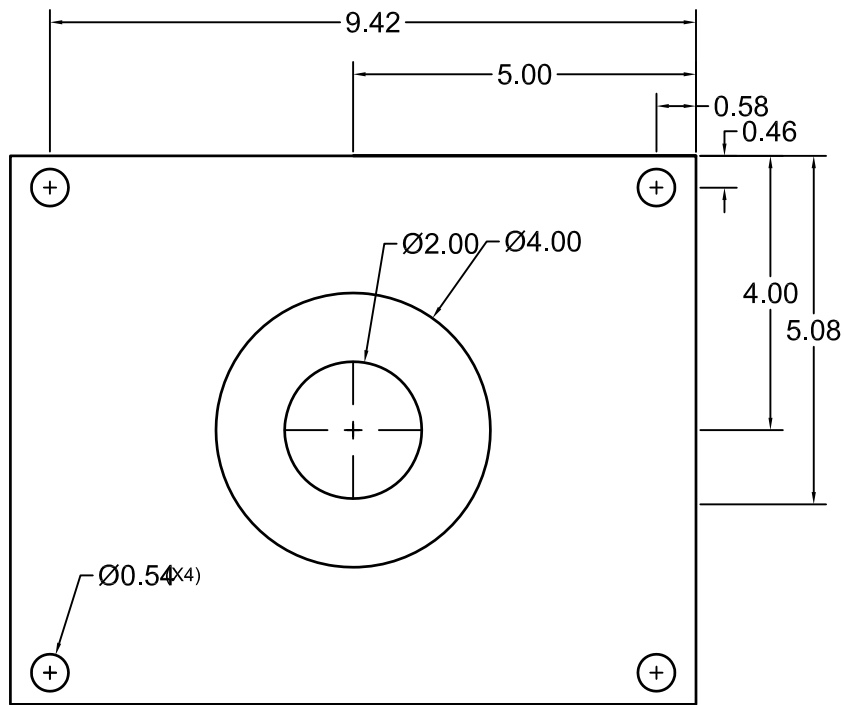
DATE.	10/10/16
SCALE.	1:1
DRAWING NO.	2 OF 2



ALL DIM = CENTIMETER  
MATERIAL = STEEL

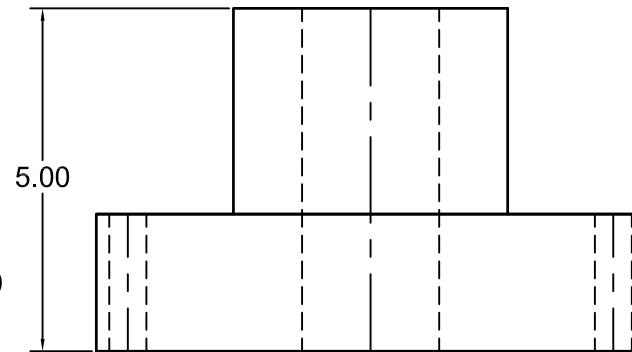
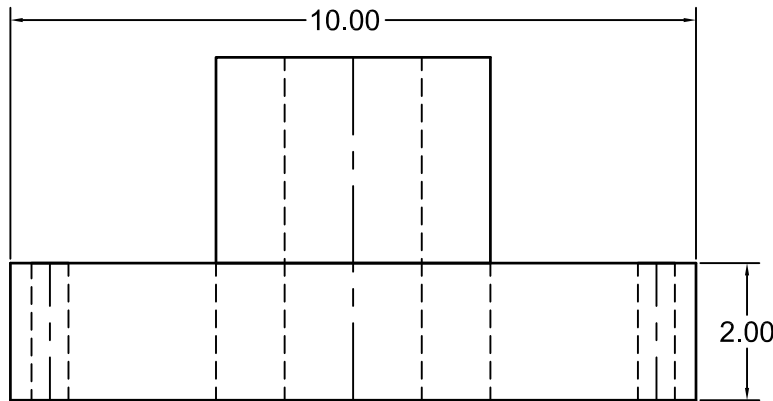


STUDENT NAME AZIZULLAH ABDUL RAB	LAB / ASSIGNMENT NUMBER LAB3: IntellCAD	DRAWING NUMBER COMPONENT 1 OF 3	SCALE 1:3	<b>CARLETON UNIVERSITY</b>
STUDENT NUMBER 101 052 514	LAB GROUP ECOR 1010 L12	SIGNATURE <i>A. Rami</i> Oct 10, 16		

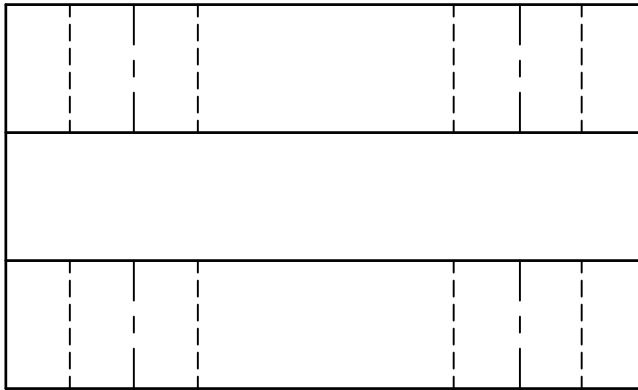


ALL DIM = CENTIMETER

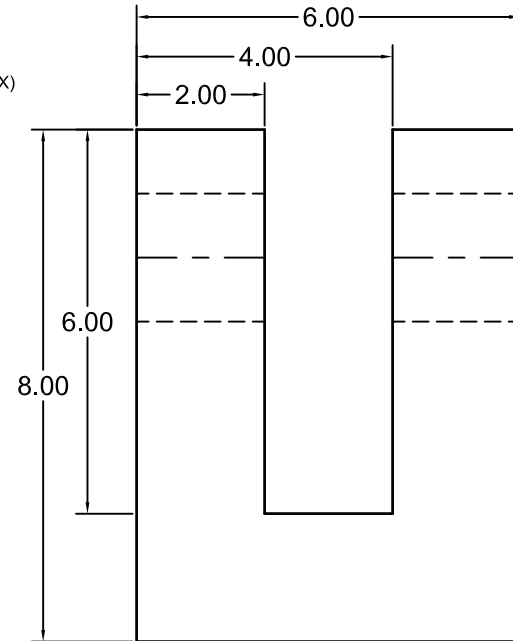
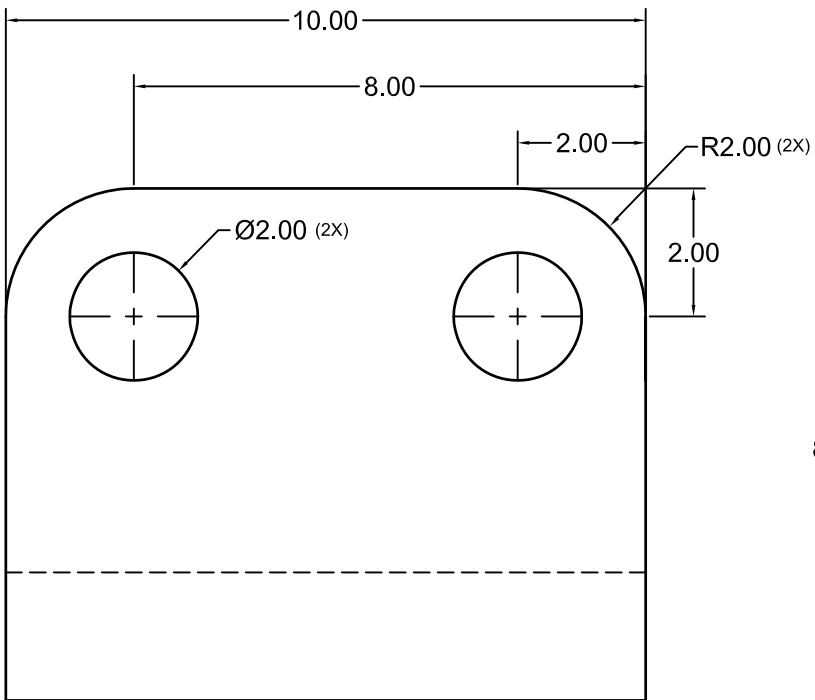
MATERIAL = STEEL



STUDENT NAME AZIZULLAH ABDUL RAB	LAB / ASSIGNMENT NUMBER LAB3: IntelliCAD	DRAWING NUMBER COMPONENT 2 OF 3	SCALE 1:3	<b>CARLETON UNIVERSITY</b>
STUDENT NUMBER 101 052 514	LAB GROUP ECOR 1010 L12	SIGNATURE <i>A. Rabi</i> Oct 10, 16		



ALL DIM = CENTIMETER  
MATERIAL = STEEL



STUDENT NAME AZIZULLAH ABDUL RAB	LAB / ASSIGNMENT NUMBER LAB3: IntellCAD	DRAWING NUMBER COMPONENT 3 OF 3	SCALE 1:3	<b>CARLETON UNIVERSITY</b>
STUDENT NUMBER 101 052 514	LAB GROUP ECOR 1010 L12	SIGNATURE <i>A. Ramir</i> Oct 11, 16		