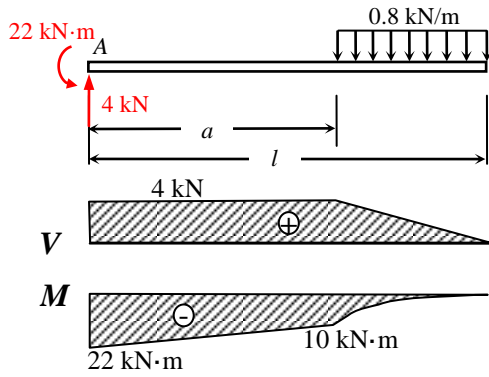
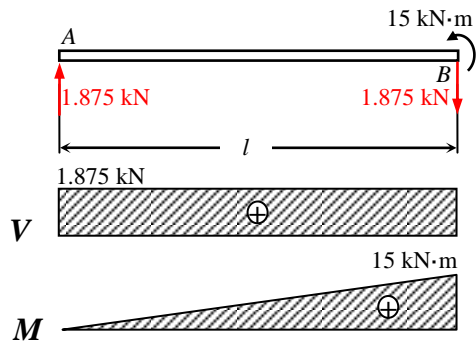


CVG2140 – Solution to Assignment No. 2 (SFD/BMD)

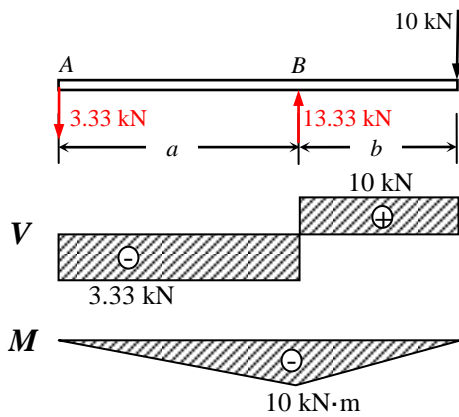
4.



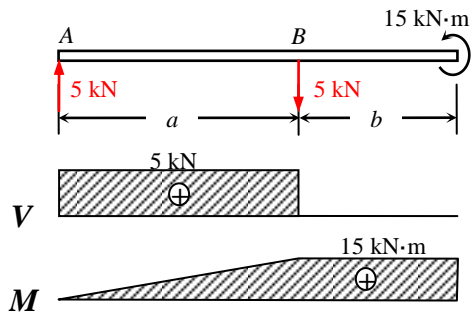
5.



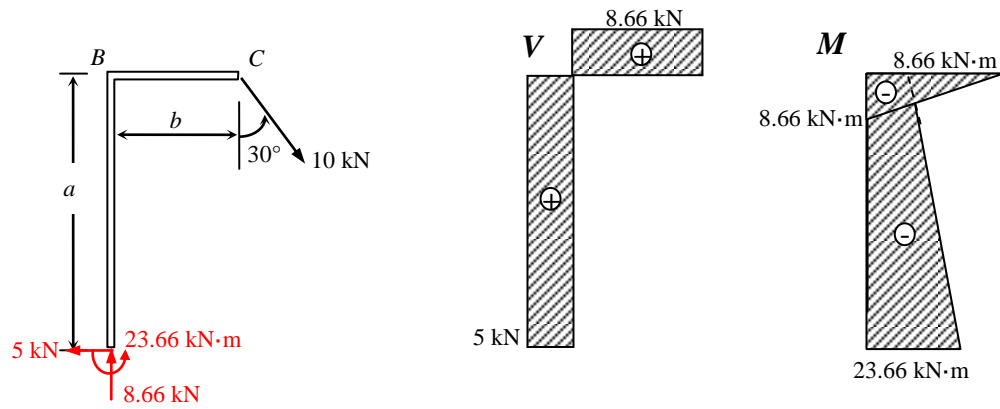
7.



8.



9.



12.

