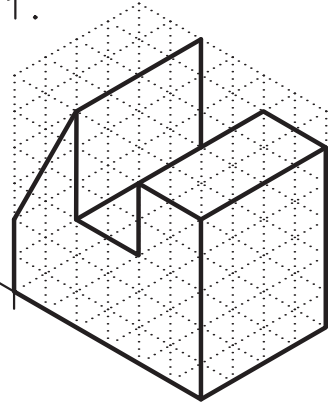
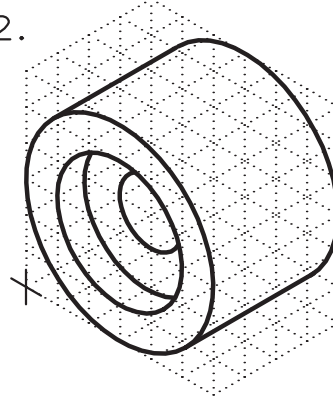


A. Complete the hand sketches of multiviews (front, top, side) for the problems shown below.

1.



2.



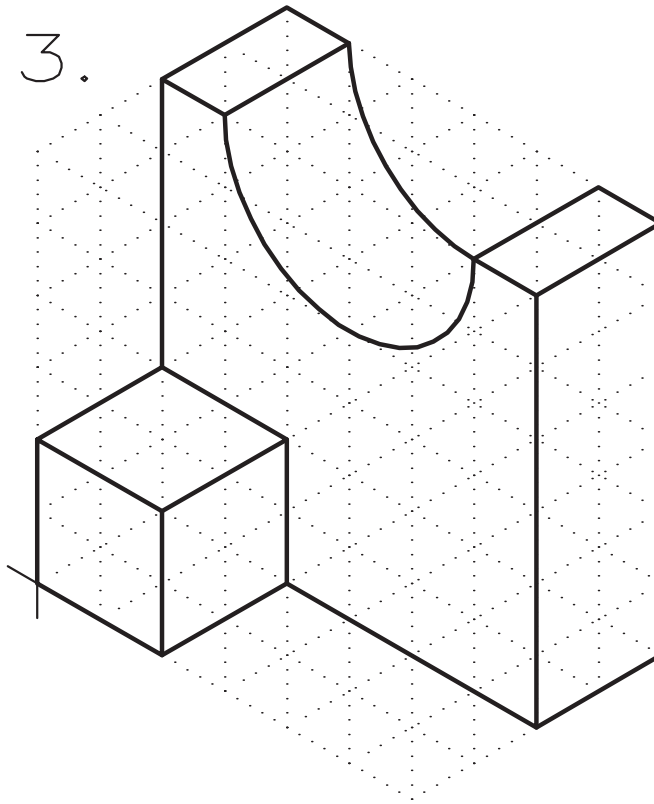
A large area of dotted grid paper for drawing the multiview projections of the objects shown in the isometric drawings.

NAME:
I.D.

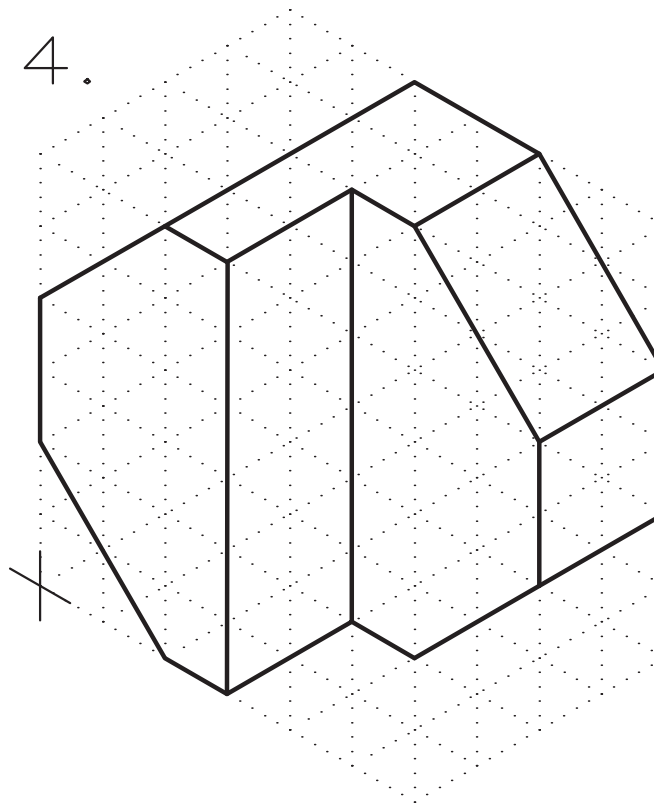
Assignment No. 1
CIVI 212 2015

B. Using AutoCAD, complete the multiviews of problems 3 and 4 assuming each grid square equals 10 mm. Submit printouts of the answers for each problem in 1:1 scale. May use different layers for different line types (continuous, hidden and hidden).

3.



4.



NAME:
I.D.

Assignment No. 1
CIVI 212 2015