

**CVG 2140 – Assignment No. 2 (SFD/BMD/Trusses)**

**(Due Date: Friday, January 30<sup>th</sup>, 2015 by 5PM)**

**Problem 1.** Determine the forces in all members of the truss shown in Fig. 1.

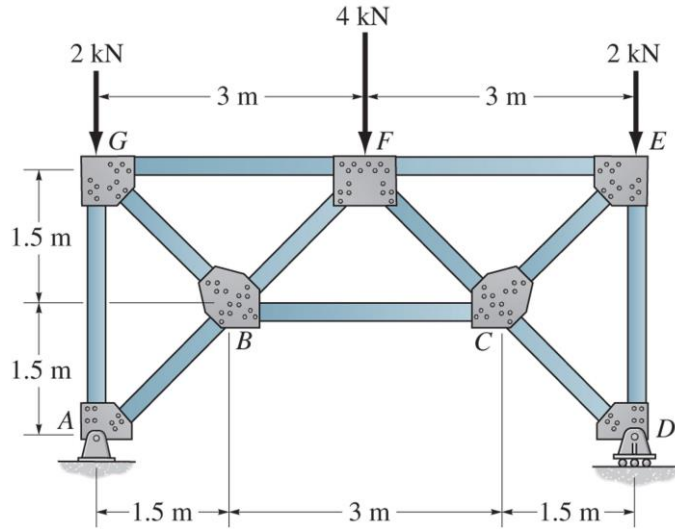


Fig. 1

**Problems 2-4.** Draw the shear force and bending moment diagrams for the beams shown in Figs. 2-4.

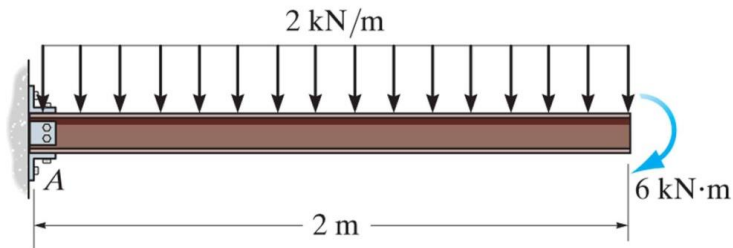


Fig. 2

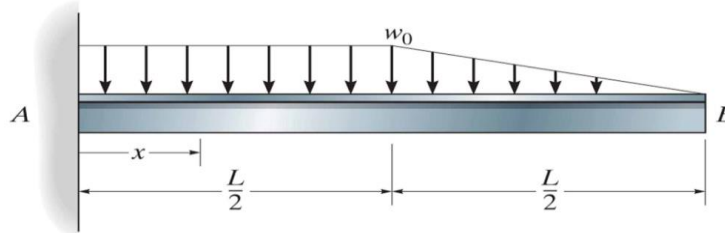


Fig. 3

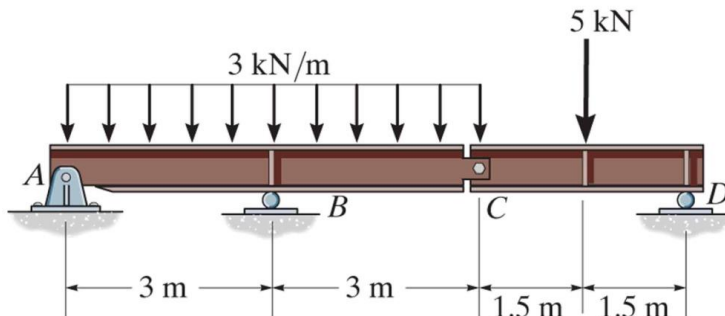


Fig. 4