

Answer1 :

As it mentioned, the project reached a stage which is the most important component of the software, the project manager should choose the most safe one, because if some problem happen in the future, it will cause big influence. So, the PM should choose a more reliable one. For these three methods, beta distribution use 5000 LOC which will cost more effort than others, but ignore the technical side, safe method is more important in this stage. Beta distribution should be chosen.

Answer 2:

This is a basic semiattached project, it observe the follow equation ,

$$E=3.0 \cdot \text{size}^{1.12} \text{ and } TDEV=2.5 \cdot E^{0.35},$$

in this question, $E=200 \text{ staff-days} / 20=10 \text{ staff-month}$, because only 20 workdays in one month.

$$\text{So } E=10=3.0 \cdot \text{size}^{1.12}, \text{ size}=2.93\text{KLOC}$$

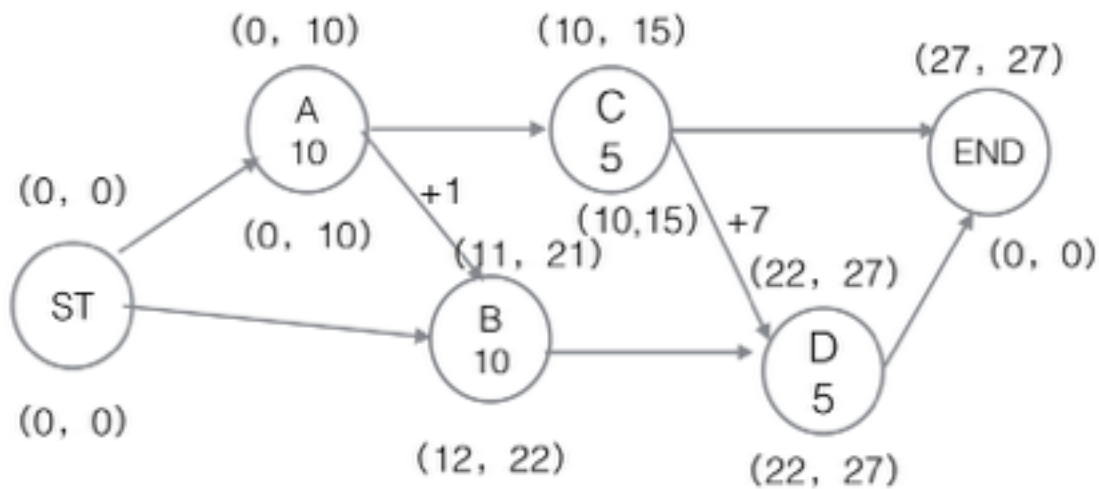
$$TDEV = 2.5 \cdot E^{0.35} = 2.5 \cdot 10^{0.35} = 5.6 \text{ Month}$$

As it has moderate deadlines, I will hire around 4 staffs .

Answer3:

a)

The critical path is A-C- D



b)

The CP is ACD, so first crash on D

Activity	MAX Crashing Months	Cost per month Crashed	Extra Cost
A	0	N/A	
B	3	1000	
C	2	800	
D	1-1=0	500	500

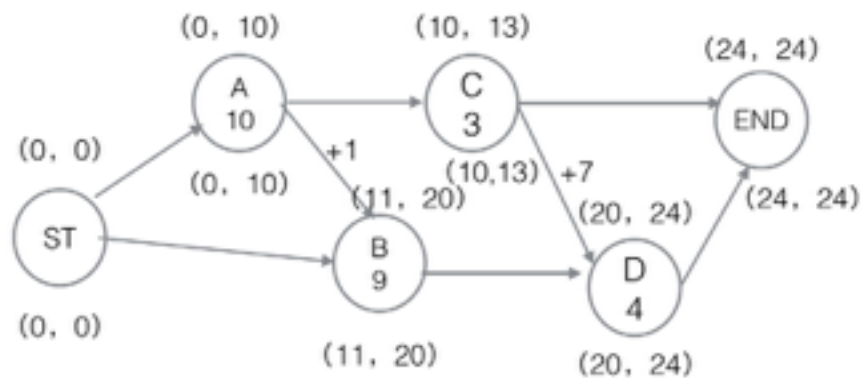
The CP is ACD, so second crash on C

Activity	MAX Crashing Months	Cost per month Crashed	Extra Cost
A	0	N/A	
B	3	1000	
C	2-1=1	800	800
D	0	500	

The CP are ACD and ABD, so third crash on B and C

Activity	MAX Crashing Months	Cost per month Crashed	Extra Cost
A	0	N/A	
B	3-1=2	1000	1000
C	1-1=0	800	800
D	0	500	

Final , shortest finishing time is $10+3+7+4=24$ Months or $10+1+9+4=24$ Months; the total extra cost is $500+800+1000+800= \$3100$



Answer4:

Answer5:

In Software project management, a death march is refer to a project where the members feel it is destined to fail, or requires a stretch of unsustainable overwork.

The rule-of-thumb for deterring a Death March is calculate the cost ,time and scope and other parameters .If any parameters over or equal 50%, it must be the Death March.

Answer6:

Well beginning is half done. In Software projects,change is inevitable , but we could also take fewer time and lower cost on the late change. When we careful through all the stage of requirements gathering, WBS, estimation, planing ,we could make the risk plan more clearly to deal with the problem. And do these thing ,we could have clearly scope for the whole developing process.