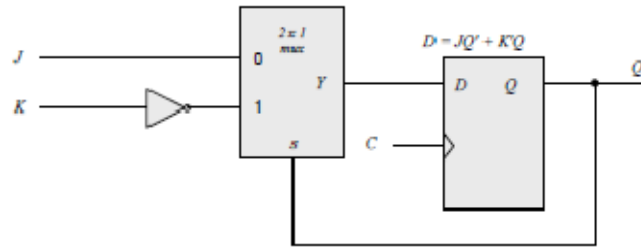
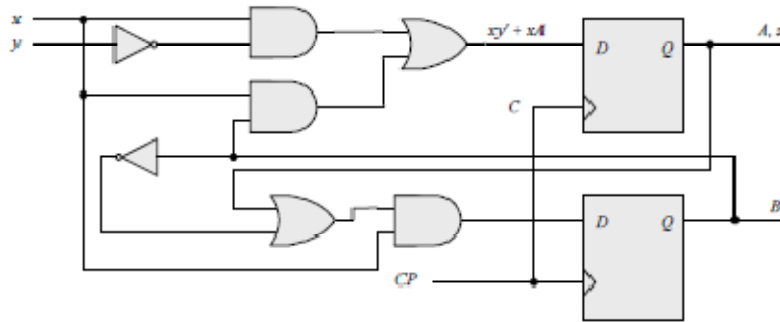


Solutions for Assignment # 5

5.2



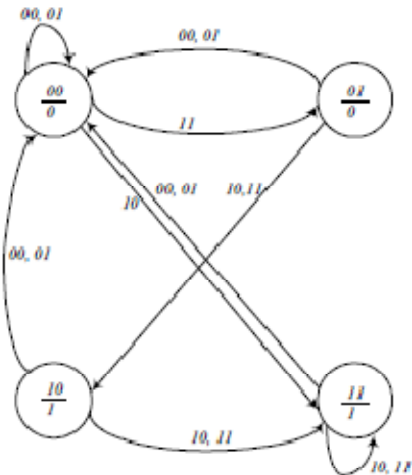
5.6



(b) $A(t+1) = xy' + xB$
 $B(t+1) = xB' + AB$
 $z = A$

| Present state | | Inputs | | Next state | | Output |
|---------------|---|--------|---|------------|---|--------|
| A | B | x | y | A | B | z |
| 0 | 0 | 0 | 0 | 0 | 0 | 0 |
| 0 | 0 | 0 | 1 | 0 | 0 | 0 |
| 0 | 0 | 1 | 0 | 1 | 1 | 0 |
| 0 | 0 | 1 | 1 | 0 | 1 | 0 |
| 0 | 1 | 0 | 0 | 0 | 0 | 0 |
| 0 | 1 | 0 | 1 | 0 | 0 | 0 |
| 0 | 1 | 1 | 0 | 1 | 0 | 0 |
| 0 | 1 | 1 | 1 | 1 | 0 | 0 |
| 1 | 0 | 0 | 0 | 0 | 0 | 1 |
| 1 | 0 | 0 | 1 | 0 | 0 | 1 |
| 1 | 0 | 1 | 0 | 1 | 1 | 1 |
| 1 | 0 | 1 | 1 | 1 | 1 | 1 |
| 1 | 1 | 0 | 0 | 0 | 0 | 1 |
| 1 | 1 | 0 | 1 | 0 | 0 | 1 |
| 1 | 1 | 1 | 0 | 1 | 1 | 1 |
| 1 | 1 | 1 | 1 | 1 | 1 | 1 |

(c)



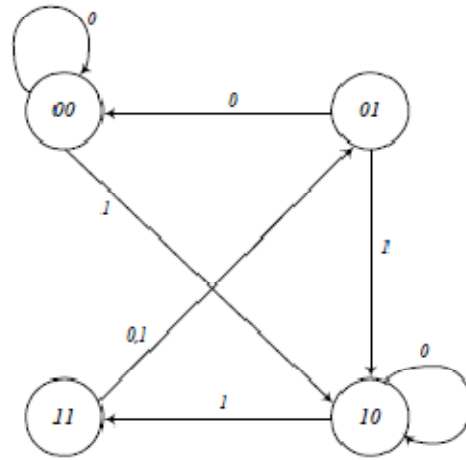
$$J_A = x \quad K_A = B$$

$$J_B = x \quad K_B = A'$$

$$A(t+1) = J_A A' + K_A A = xA' + B'A$$

$$B(t+1) = J_B B' + K_B B = xB' + AB$$

| x | A | B | $xA' + B'A$ | $xB' + AB$ |
|-----|-----|-----|-------------|------------|
| 0 | 0 | 0 | 0 | 0 |
| 0 | 0 | 1 | 0 | 0 |
| 0 | 1 | 0 | 1 | 0 |
| 0 | 1 | 1 | 0 | 1 |
| 1 | 0 | 0 | 1 | 1 |
| 1 | 0 | 1 | 1 | 0 |
| 1 | 1 | 0 | 1 | 1 |
| 1 | 1 | 1 | 0 | 1 |



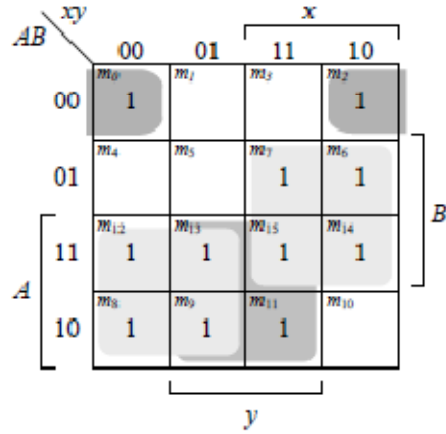
5.10

(a) $J_A = Bx + B'y'$ $J_B = A'x$
 $K_A = B'xy'$ $K_B = A + xy'$ $z = Axy + Bx'y'$

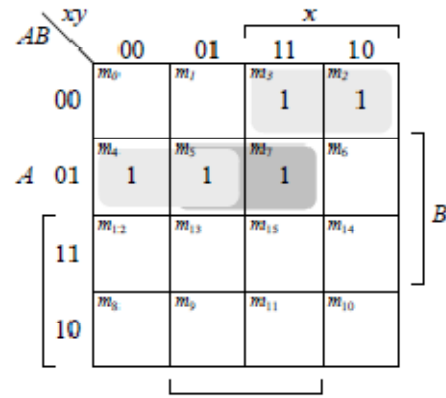
(b)

| Present state | | Inputs | | Next state | | Output | FF Inputs | | | |
|---------------|---|--------|---|------------|---|--------|-----------|-------|-------|-------|
| A | B | x | y | A | B | | z | J_A | K_A | J_B |
| 0 | 0 | 0 | 0 | 1 | 0 | 0 | 1 | 0 | 0 | 0 |
| 0 | 0 | 0 | 1 | 0 | 0 | 0 | 0 | 0 | 0 | 0 |
| 0 | 0 | 1 | 0 | 1 | 1 | 0 | 1 | 1 | 1 | 1 |
| 0 | 0 | 1 | 1 | 0 | 1 | 0 | 0 | 0 | 1 | 0 |
| 0 | 1 | 0 | 0 | 0 | 1 | 1 | 0 | 0 | 0 | 0 |
| 0 | 1 | 0 | 1 | 0 | 1 | 0 | 0 | 0 | 0 | 0 |
| 0 | 1 | 1 | 0 | 1 | 0 | 0 | 1 | 0 | 1 | 0 |
| 0 | 1 | 1 | 1 | 1 | 1 | 0 | 1 | 0 | 1 | 0 |
| 1 | 0 | 0 | 0 | 1 | 0 | 0 | 1 | 0 | 0 | 1 |
| 1 | 0 | 0 | 1 | 1 | 0 | 0 | 0 | 0 | 0 | 1 |
| 1 | 0 | 1 | 0 | 0 | 0 | 0 | 1 | 1 | 0 | 1 |
| 1 | 0 | 1 | 1 | 1 | 0 | 0 | 0 | 0 | 0 | 1 |
| 1 | 1 | 0 | 0 | 1 | 0 | 1 | 0 | 0 | 0 | 1 |
| 1 | 1 | 0 | 1 | 1 | 0 | 0 | 0 | 0 | 0 | 1 |
| 1 | 1 | 1 | 0 | 1 | 0 | 0 | 1 | 0 | 0 | 1 |
| 1 | 1 | 1 | 1 | 1 | 0 | 1 | 1 | 0 | 0 | 1 |

(c)



$$A(t+1) = Ax' + Bx + Ay + A'B'y'$$



$$B(t+1) = A'B'x + A'B'(x' + y)$$

5.12

| Present state | Next state | | Output | |
|---------------|------------|---|--------|---|
| | 0 | 1 | 0 | 1 |
| a | f | b | 0 | 0 |
| b | d | a | 0 | 0 |
| d | g | a | 1 | 0 |
| f | f | b | 1 | 1 |
| g | g | d | 0 | 1 |