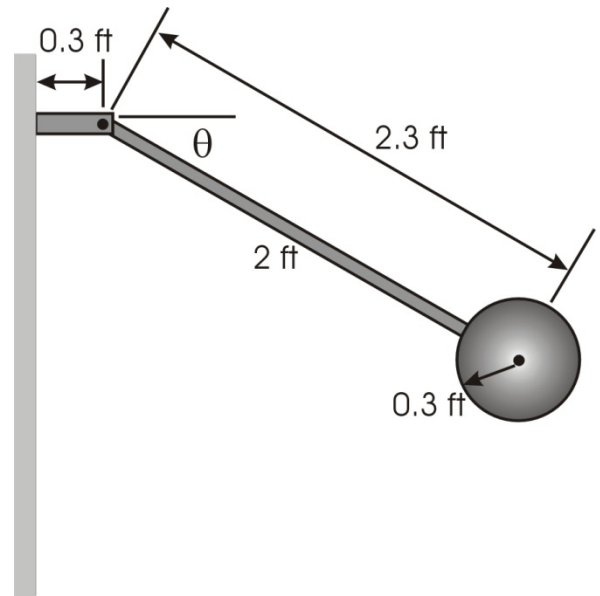


Last Name: _____ *First Name:* _____ *Section* _____

The pendulum consists of a 10-lb solid ball and a 4-lb rod. It is released from rest when $\theta_1 = 0$, determine the angle θ_2 of the rebound after the ball strikes the wall and the pendulum swings up to a point of momentary rest. The coefficient of restitution between the ball of the pendulum and the wall is $e = 0.6$.



Mark	
------	--